

FIGURE 16
POSITIVE FEED MAGNET
ASSEMBLY

Sperry Positive feed magnet assembly fig 16

RefNo.	Skyview Number	Price (US Dollars)	Description
1-6	S140	95.00	Feed magnet assembly complete
1	S139	50.00	Magnet assembly
2	173132	25.50	Bracket
3		.50	Screw .190-24 x 1/2 fil. ss
4		.50	Screw .138-32 x 1/2 flat ss
5		.50	Screw .190-24 x 7/8 fil ss
6	177796	15.00	Terminal block

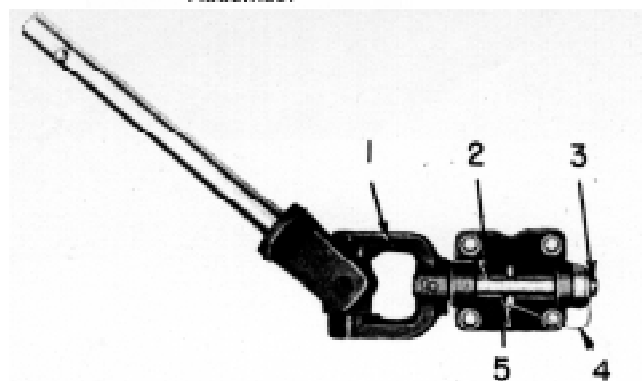


FIGURE 17
ARMATURE LOCK ASSEMBLY

Sperry Armature Lock Assembly Fig 17

RefNo.	Skyview Number	Price (US Dollars)	Description
1	104883L	5.00	Universal joint assembly
1A	S136	25.00	Universal joint only (no shaft requires drilling)
2	173125	6.00	Lock pin shaft
3		.50	Screw .135-32 x 1/4 fil ss
4	S141	6.00	Lock pin spring
5	S142	6.00	Lock pin

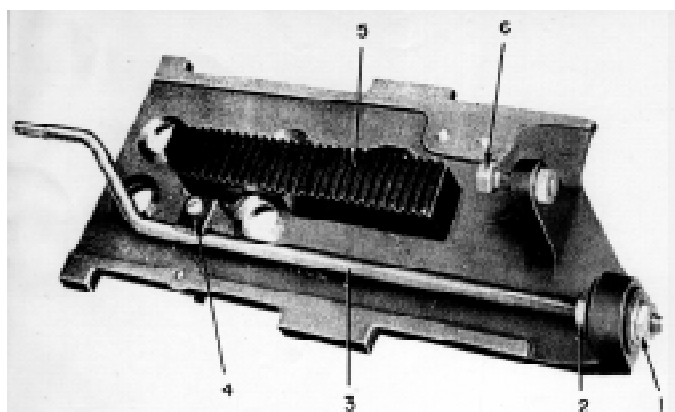


FIGURE 18
BEAM SPREAD LAMP BASE, UNDERSIDE.

Sperry Beam Spread Lamp Base Fig 18

RefNo.	Skyview Number	Price (US Dollars)	Description
1		.50	Nut 5/16 brass
2		.50	Nut 5/16 brass
3	S216B	20.00	Negative terminal bar (bent)
4	201604	18.00	Terminal bar support
5	201613	160.00	Rack
6		.50	Screw 5/16 -18 x 1" hex ss

Copyright 1997 by National Event Marketing, Inc. Reproduction in whole or part is forbidden without the written consent of National Event Marketing, Inc.

All prices subject to change without notice

National Event Marketing, Inc. d.b.a. Skyview Company
 2810 Thousand Oaks, Suite 237, San Antonio, Texas 78232
 Web: www.sky-view.com E-Mail: sales@sky-view.com

Phone (USA): 800.562.8439 Phone (International): 011.95.210.681.8500